

PS420 (A862)

PARTS CATALOG

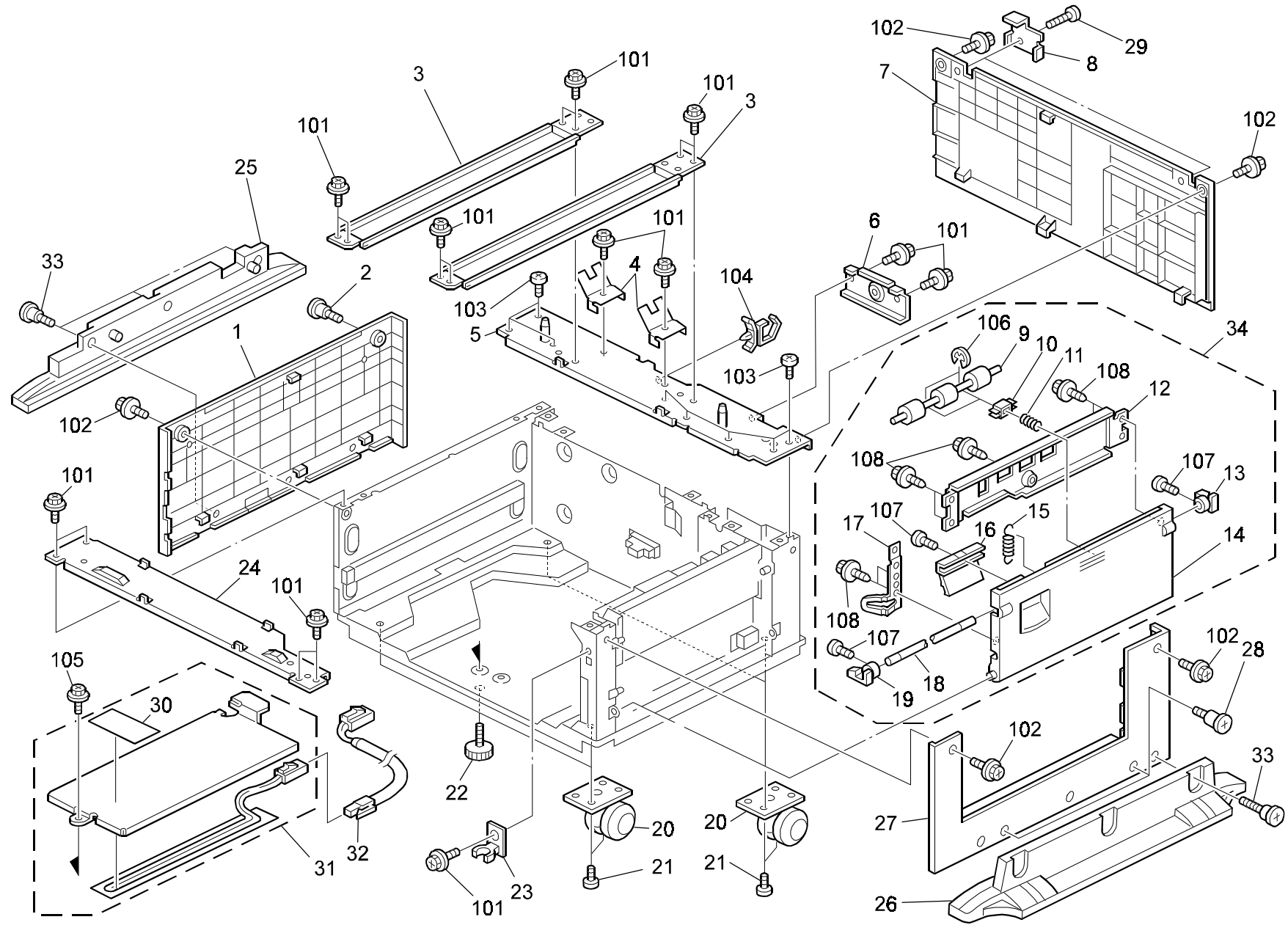
INTRODUCTION

This chapter instructs you the numbers and names of parts on this machine.

INDEX to PARTS CATALOG

1.EXTERIOR (A862)	2
2.PAPER FEED SECTION (A862).....	4
3.TANDEM TRAY 1 (A862)	6
4.TANDEM TRAY 2 (A862)	8
5.TANDEM TRAY 3 (A862)	10
6.DRIVE/ELECTRICAL SECTION (A862).....	12
7.DECAL AND DOCUMENT (A862)	14
PARTS INDEX	17

1.EXTERIOR (A862)

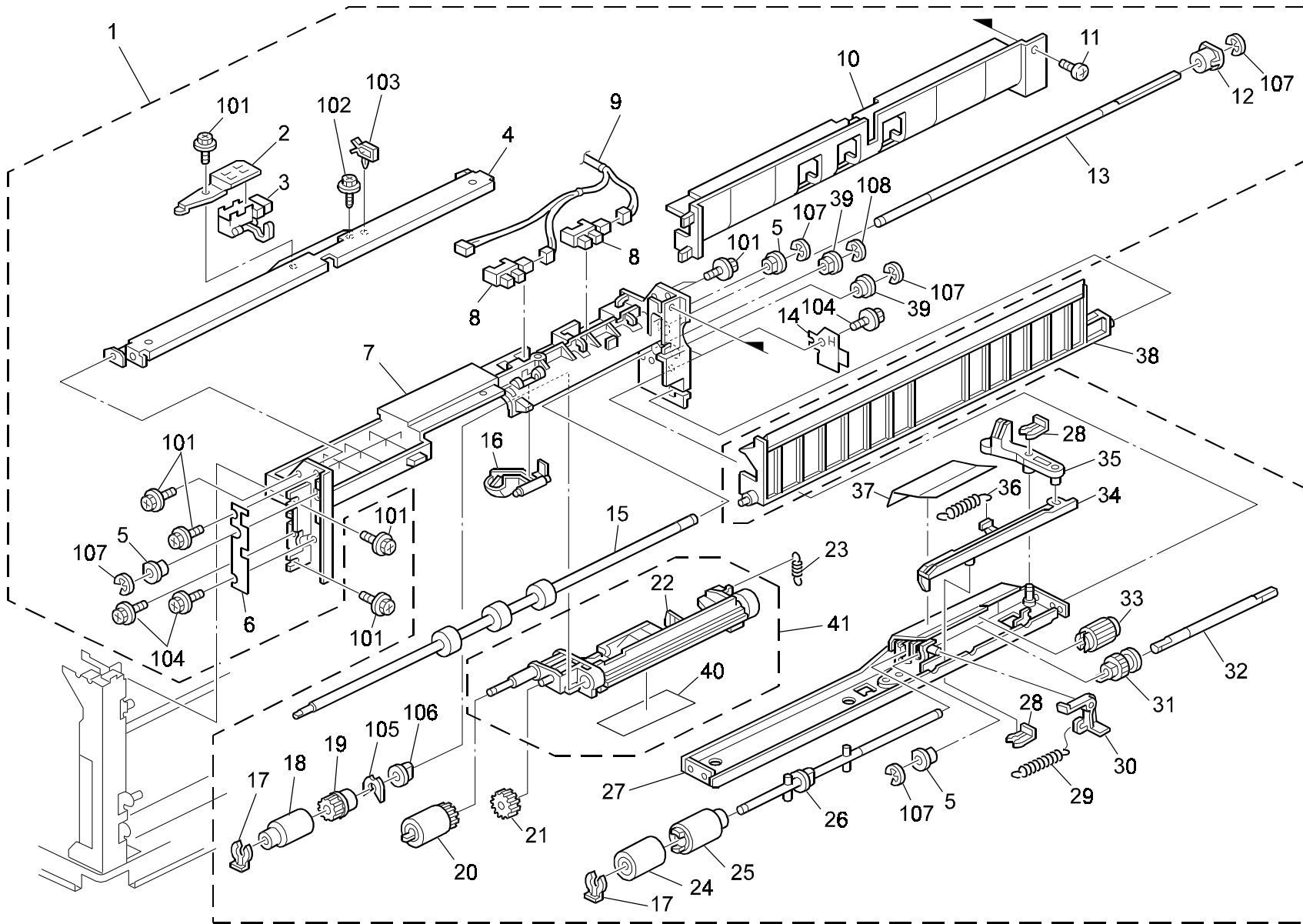


1.EXTERIOR (A862)

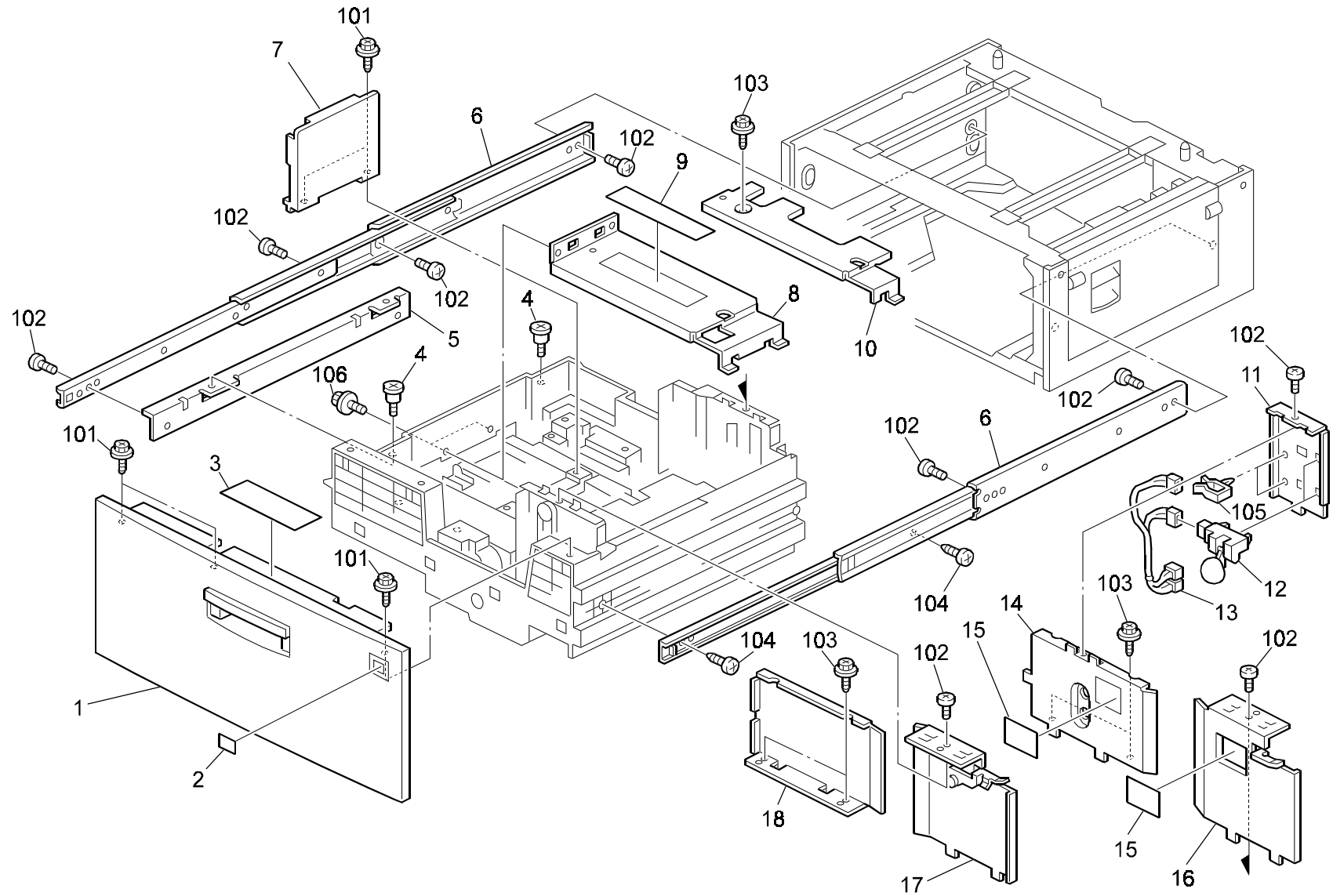
Index No.	Part No.	Description	Q'ty Per Assembly
1	A860 1255	Left Cover	1
2	A193 1759	Stepped Screw	1
3	A860 1120	Stay - Front Rear	2
4	H519 4547	Spring Plate	2
5	A862 1116	Stay Upper Rear	1
6	A860 1117	Bracket - Upper Right Rear Stay	1
7	A860 1270	Rear Cover	1
8	A860 6140	Bracket - Joint	2
9	AF02 0409	Driven Roller	1
10	AA08 0254	Bushing - M4	2
11	AA06 3382	Pressure Spring	2
12	A862 2565	Guide Plate Vertical Transport	1
13	A862 2574	Hook Rear Vertical Transport	1
14	A862 2560	Cover Vertical Transport	1
15	AA06 0795	Tension Spring	1
16	A862 2571	Lever Vertical Transport	1
17	A862 2567	Stopper Vertical Transport	1
18	AA14 0709	Un Lock Shaft	1
19	A862 2573	Hook Front Vertical Transport	1
20	AH01 2026	Caster	4
21	A507 1096	Philips Screw - M5x6	16
22	A860 1125	Adjusting Pin	1
23	A232 2995	Front Positioning Guide	1
24	A860 1110	Stay - Upper Front	1
25	A860 6220	Left Stand	1
26	A860 6210	Right Stand	1
27	A860 1265	Right Cover	1
28	A860 6230	Screw - M3	1
29	AA14 3508	Flat Knob Screw - M4x10	1
30	AA00 0401	Decal - High Temperature	1
31	A267 7350	Dehumidifier Ass'y (120V)	1
31	A267 7363	Dehumidifier Ass'y (230V)	1
32	A861 5370	AC Harness - Heater	1
33	A680 4351	Screw - M4X17	1
34	A862 2595	Cover Vertical Transport	1

Index No.	Part No.	Description	Q'ty Per Assembly
101	0451 3006B	Tapping Screw - M3x6	
102	0451 3008H	Tapping Screw - 3x8	
103	0453 3006B	Tapping Screw - M3x6	
104	1105 0310	Harness Clamp - LWS-1S	
105	0950 3006B	SEM,s Screw - M3x6	
106	0720 0030B	Retaining Ring - M3	
107	0353 0060B	Philips Pan Head Screw - M3x6	
108	0450 3008B	Tapping Screw - M3x8	

2.PAPER FEED SECTION (A862)



3.TANDEM TRAY 1 (A862)

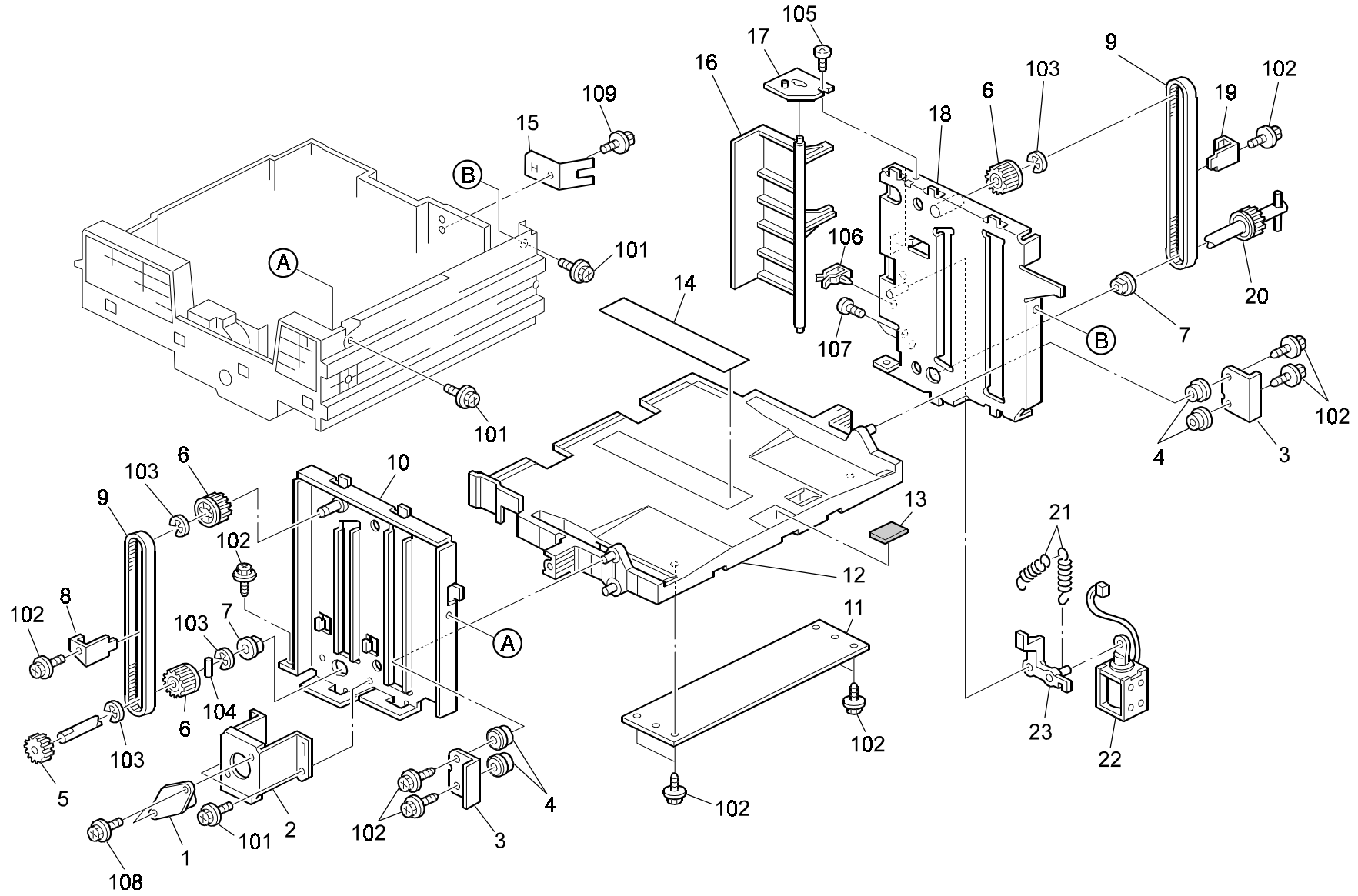


3.TANDEM TRAY 1 (A862)

Index No.	Part No.	Description	Q'ty Per Assembly
1	A862 2610	Cover Front LCT	1
2	A862 2612	Decal Size Indication	1
3	A862 2615	Decal Paper Set Direction	1
4	AA14 3432	Stepped Screw - M3	2
5	A862 1089	Left Slide Rail	1
6	AA07 0047	Slide Rail	2
7	A862 2725	End Fence Tandem Tray	1
8	A862 2770	Cover Timing Belt	1
9	A096 6678	Decal - Left Paper Set	1
10	A862 2771	Cover Positioning Sensor	1
11	A862 2737	Bracket Feeler Paper Volume Sensor	1
12	AW02 0115	Photointerruptor	2
13	A862 5350	Paper Volume Sensor Harness	1
14	A862 2736	Side Fence Tandem Tray Rear	1
15	AA00 2010	Decal - Paper Level	1
16	A862 2665	Side Fence	1
17	A862 2660	Side Fence	1
18	A862 2730	Side Fence Tandem Tray Front	1

Index No.	Part No.	Description	Q'ty Per Assembly
101	0450 3010B	Tapping Screw - M3x10	
102	0453 3006B	Tapping Screw - M3x6	
103	0450 3008B	Tapping Screw - M3x8	
104	0452 3008B	Tapping Screw - M3x8	
105	1105 0283	Clamp	
106	0451 3006B	Tapping Screw - M3x6	

4.TANDEM TRAY 2 (A862)

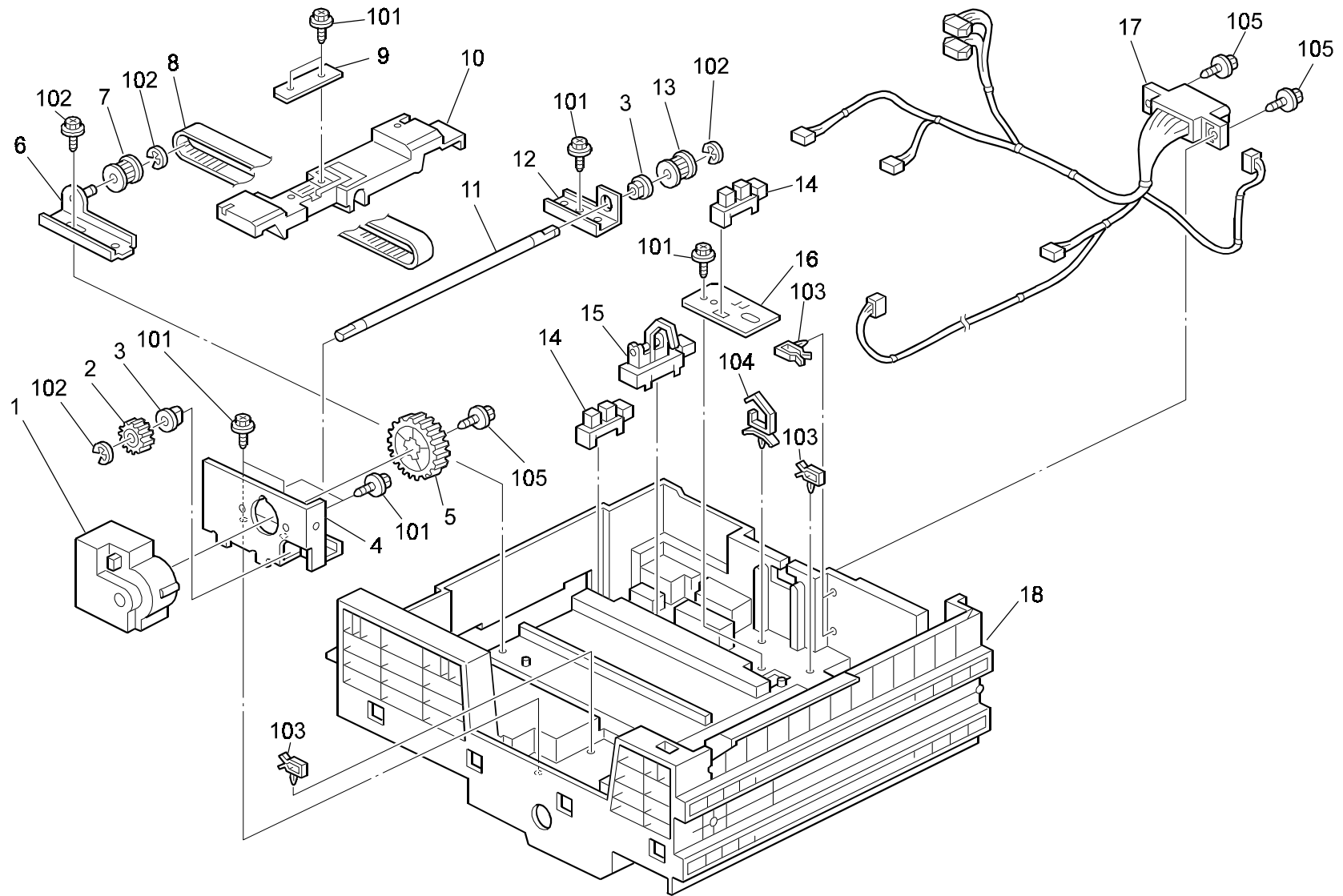


4.TANDEM TRAY 2 (A862)






Index No.	Part No.	Description	Q'ty Per Assembly
1	A862 2692	Oil Damper	1
2	A862 2691	Bracket Dumper	1
3	A862 2639	Bracket Roller Plate	2
4	A335 4351	Guide Roller	4
5	AB01 4135	Gear - 18Z	1
6	AB03 0633	Timing Pulley	3
7	5053 0223	Bushing - 8MM	2
8	A862 2673	Stay Timing Belt	1
9	AA04 3524	Timing Belt - S3M417	2
10	A862 2625	Side Plate Front LCT	1
11	A862 2631	Balancer Tray Bottom Plate	1
12	A862 2630	Tray Bottom Plate	1
13	A421 2543	Friction Pad	1
14	A096 6677	Decal - Right Paper Set	1
15	A862 2605	Spring Plate Earth Paper Tray	1
16	A862 2645	End Fence Rear	1
17	A862 2676	Bracket End Fence	1
18	A862 2635	Side Plate Rear LCT	1
19	A862 2674	Stay Timing Belt Rear	1
20	A862 2642	Shaft Tray Bottom Plate	1
21	AA06 0796	Tension Spring - End Fence	2
22	A862 2671	DC Solenoid	1
23	A248 6730	Rear Release Lever	1

Index No.	Part No.	Description	Q'ty Per Assembly
101	0451 3006B	Tapping Screw - M3x6	
102	0450 3008B	Tapping Screw - M3x8	
103	0720 0060B	Retaining Ring - M6	
104	0623 0140E	Spring Pin - 3x14mm	
105	0453 3006B	Tapping Screw - M3x6	
106	1105 0267	Harness Clamp - YMC-10-0	
107	0313 0040B	Philips Pan Head Screw - M3x4	
108	0451 4006B	Tapping Screw - 4x6	
109	0451 3008B	Tapping Screw - M3x8	

5.TANDEM TRAY 3 (A862)

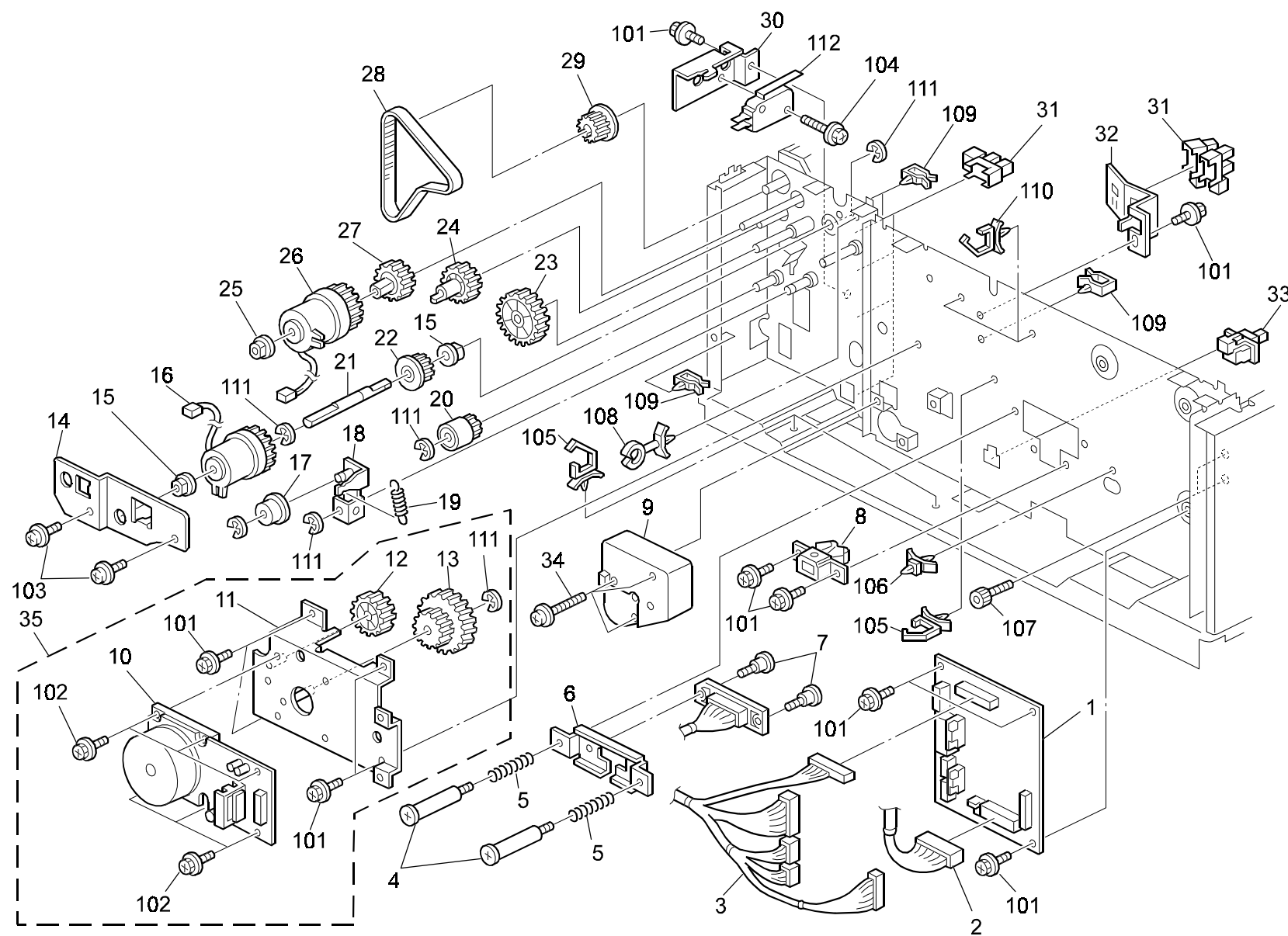


5.TANDEM TRAY 3 (A862)

Index No.	Part No.	Description	Q'ty Per Assembly	
1	AX04 0107	DC Motor - 19.2W	1	
2	AB01 3798	Gear - Z18	1	
3	5053 0447	Bushing - 6mm	2	
	4	A862 2741	Bracket Morot	1
5	AB01 9475	Gear - 48T	1	
	6	A862 2745	Bradket Timing Belt	1
7	AB03 3085	Timing Pulley - 15T Driven	1	
8	AA04 3525	Timing Belt Slider - S3M600	1	
	9	A862 2721	Stopper Timing Belt Slider	1
10	A862 2720	Slider End Fence	1	
11	AA14 0711	Timing Pulley Shaft	1	
	12	A862 2728	Bracket Timing Pulley	1
13	AB03 3084	Timing Pulley - 15T - Drive	1	
14	AW02 0086	Photointerruptor	1	
15	AW02 0112	Photointerruptor	1	
	16	A862 2722	Bracket Photointerruptor	1
17	A862 5320	Tray Harness	1	
18	A862 2600	Paper Tray	1	

Index No.	Part No.	Description	Q'ty Per Assembly
101	0450 3008B	Tapping Screw - M3x8	
102	0720 0040B	Retaining Ring - M4	
103	1105 0283	Clamp	
104	1105 0310	Harness Clamp - LWS-1S	
105	0450 3010B	Tapping Screw - M3x10	

6.DRIVE/ELECTRICAL SECTION (A862)



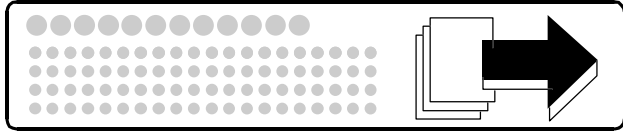
6.DRIVE/ELECTRICAL SECTION (A862)

Index No.	Part No.	Description	Q'ty Per Assembly
1	A862 5110	Interface Board	1
2	A862 5330	Interface Harness	1
3	A862 5310	Main Harness	1
4	AA14 3510	Drawer Screw	2
5	AA06 3600	Compression Spring	2
6	A862 1131	Bracket Drawer	1
7	AA14 3312	Stepped Screw - M3x10	2
8	G697 1082	Tray Holder	1
9	A862 2650	Moter - DC18W	1
10	AX06 0184	DC Motor - 11.3W	1
11	A862 2810	DC Motor Drive	1
12	AB01 4134	Gear - 28Z	1
13	AB01 4133	Gear 60/28z	1
14	A862 2826	Stopper Magnetic Clutch	1
15	AA08 2047	Bushing - 8x16x7	2
16	AX20 0138	Electrical Clutch	1
17	AB03 0564	Pulley - M17	1
18	A862 2830	Belt Tensioner	1
19	AA06 0797	Belt Tension Spring	1
20	AB03 0575	Timing Pulley - 20T	1
21	AA14 0712	Connecting Shaft	1
22	AB03 0566	Timing Pulley - 20T	1
23	AB01 4136	Gear - 31Z	1
24	AB01 4037	Gear - 24Z	1
25	5053 0447	Bushing - 6mm	1
26	AX20 0153	Electrical Clutch	1
27	AB01 4038	Gear - 22Z	1
28	AA04 3526	Timing Belt - B60S3M312	1
29	AB03 0565	Timing Pulley - 20T	1
30	A862 1126	Switch Bracket	1
31	AW02 0086	Photointerruptor	6
32	A862 2677	Bracket Detector	1
33	AW50 0022	Push Switch	1
34	AA14 3518	Flate Screw - Lift Motor	3
35	A862 2808	DC Moter Drive Ass'y	1

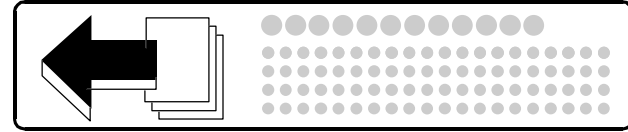
Index No.	Part No.	Description	Q'ty Per Assembly
101	0451 3006B	Tapping Screw - M3x6	
102	0451 3008B	Tapping Screw - M3x8	
103	0353 0060B	Philips Pan Head Screw - M3x6	
104	0451 3014B	Tapping Screw - M3-14	
105	1105 0310	Harness Clamp - LWS-1S	
106	1105 0192	Locking Support	
107	0594 0080Z	Bolt - M4x8	
108	1105 0348	Clamp	
109	1105 0267	Harness Clamp - YMC-10-0	
110	1105 0413	Harness Clamp	
111	0720 0060E	Retaining Ring - M6	
112	1204 2356	Micro Switch - AM51612A531	

7.DECAL AND DOCUMENT (A862)

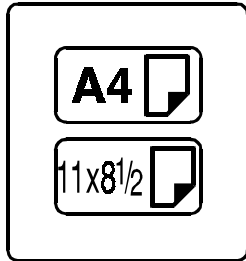
1



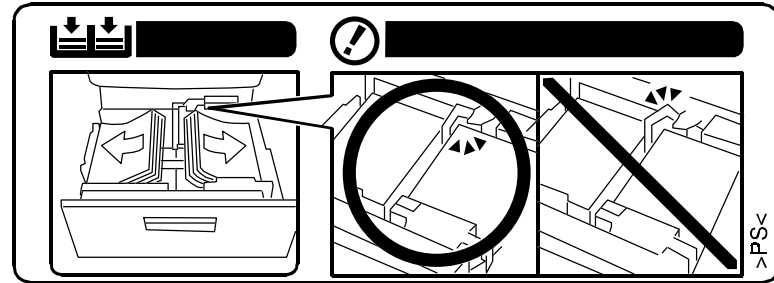
2



3



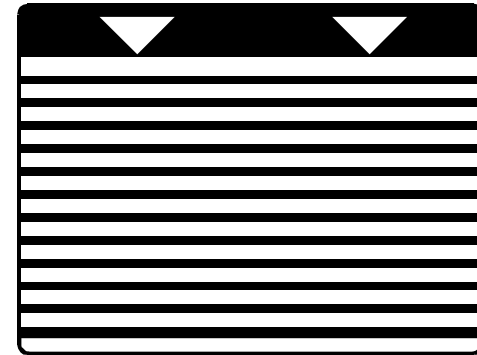
4



5



6



7.DECAL AND DOCUMENT (A862)

Index No.	Part No.	Description	Q'ty Per Assembly
1	A096 6677	Decal - Right Paper Set	1
2	A096 6678	Decal - Left Paper Set	1
3	A862 2612	Decal Size Indication	1
4	A862 2615	Decal Paper Set Direction	1
5	AA00 0401	Decal - High Temperature	1
6	AA00 2010	Decal - Paper Level	1

Index No.	Part No.	Description	Q'ty Per Assembly

PARTS INDEX

PM Parts Index

Section Name	Part No.	Description in Service Manual	Description in Parts Catalog	Q'ty Per Assembly	Page and Index No
PAPER FEED SECTION (A862)	AF03 1035	Feed Roller	Feed Roller	1	5- 18
	AF03 0035	Pick-up Roller	Pick-up Roller	1	5- 20
	AF03 2035	Separation Roller	Separation Roller	1	5- 24

Parts Index

Part No.	Description	Page and Index No.
A862 1089	Left Slide Rail	7- 5
A862 1116	Stay Upper Rear	3- 5
A862 1126	Switch Bracket	13- 30
A862 1131	Bracket Drawer	13- 6
A862 2560	Cover Vertical Transport	3- 14
A862 2565	Guide Plate Vertical Transport	3- 12
A862 2567	Stopper Vertical Transport	3- 17
A862 2571	Lever Vertical Transport	3- 16
A862 2573	Hook Front Vertical Transport	3- 19
A862 2574	Hook Rear Vertical Transport	3- 13
A862 2595	Cover Vertical Transport	3- 34
A862 2600	Paper Tray	11- 18
A862 2605	Spring Plate Earth Paper Tray	9- 15
A862 2610	Cover Front LCT	7- 1
A862 2612	Decal Size Indication	7- 2
A862 2612	Decal Size Indication	15- 3
A862 2615	Decal Paper Set Direction	7- 3
A862 2615	Decal Paper Set Direction	15- 4
A862 2625	Side Plate Front LCT	9- 10
A862 2630	Tray Bottom Plate	9- 12
A862 2631	Balancer Tray Bottom Plate	9- 11
A862 2635	Side Plate Rear LCT	9- 18
A862 2639	Bracket Roller Plate	9- 3
A862 2642	Shaft Tray Bottom Plate	9- 20
A862 2645	End Fence Rear	9- 16
A862 2650	Moter - DC18W	13- 9
A862 2660	Side Fence	7- 17
A862 2665	Side Fence	7- 16
A862 2671	DC Solenoid	9- 22
A862 2673	Stay Timing Belt	9- 8
A862 2674	Stay Timing Belt Rear	9- 19
A862 2676	Bracket End Fence	9- 17
A862 2677	Bracket Detector	13- 32
A862 2691	Bracket Dumper	9- 2
A862 2692	Oil Damper	9- 1

Part No.	Description	Page and Index No
A862 2720	Slider End Fence	11- 10
A862 2721	Stopper Timing Belt Slider	11- 9
A862 2722	Bracket Photointerruptor	11- 16
A862 2725	End Fence Tandem Tray	7- 7
A862 2728	Bracket Timing Pulley	11- 12
A862 2730	Side Fence Tandem Tray Front	7- 18
A862 2736	Side Fence Tandem Tray Rear	7- 14
A862 2737	Bracket Feeler Paper Volume Sensor	7- 11
A862 2741	Bracket Morot	11- 4
A862 2745	Bracket Timing Belt	11- 6
A862 2748	Paper Feed Unit	5- 1
A862 2751	Housing Paper Feed Unit	5- 7
A862 2752	Guide Plate Housing Paper Feed Unit	5- 10
A862 2753	Pickup Arm Ass'y	5- 41
A862 2754	Arm Pickup	5- 22
A862 2755	Pickup Arm Guide	5- 40
A862 2756	Guide Plate Swivel	5- 38
A862 2758	Ground Plate Front	5- 6
A862 2760	Stay Feed	5- 4
A862 2770	Cover Timing Belt	7- 8
A862 2771	Cover Positioning Sensor	7- 10
A862 2808	DC Moter Drive Ass'y	13- 35
A862 2810	DC Motor Drive	13- 11
A862 2826	Stopper Magnetic Clutch	13- 14
A862 2830	Belt Tensioner	13- 18
A862 5110	Interface Board	13- 1
A862 5310	Main Harness	13- 3
A862 5320	Tray Harness	11- 17
A862 5330	Interface Harness	13- 2
A862 5350	Paper Volume Sensor Harness	7- 13

Part No.	Description	Page and Index No.
AA00 0401	Decal - High Temperature	3- 30
AA00 0401	Decal - High Temperature	15- 5
AA00 2010	Decal - Paper Level	15- 6
AA00 2010	Decal - Paper Level	7- 15
AA04 3524	Timing Belt - S3M417	9- 9
AA04 3525	Timing Belt Slider - S3M600	11- 8
AA04 3526	Timing Belt - B60S3M312	13- 28
AA06 0691	Tension Spring	5- 23
AA06 0692	Tension Spring	5- 29
AA06 0693	Tension Spring	5- 36
AA06 0795	Tension Spring	3- 15
AA06 0796	Tension Spring - End Fence	9- 21
AA06 0797	Belt Tension Spring	13- 19
AA06 3382	Pressure Spring	3- 11
AA06 3600	Compression Spring	13- 5
AA07 0047	Slide Rail	7- 6
AA08 0254	Bushing - M4	3- 10
AA08 2047	Bushing - 8x16x7	13- 15
AA08 2070	Bushing - 8x16x7	5- 39
AA08 2072	Bushing - M6	5- 5
AA08 3014	One-way Clutch	5- 12
AA14 0655	Shaft - Paper Feed	5- 13
AA14 0656	Shaft - Gear	5- 32
AA14 0709	Un Lock Shaft	3- 18
AA14 0711	Timing Pulley Shaft	11- 11
AA14 0712	Connecting Shaft	13- 21
AA14 3312	Stepped Screw - M3x10	13- 7
AA14 3432	Stepped Screw - M3	7- 4
AA14 3508	Flat Knob Screw - M4x10	3- 29
AA14 3510	Drawer Screw	13- 4
AA14 3518	Flate Screw - Lift Motor	13- 34
AB01 0106	Gear - 24Z	5- 31
AB01 0107	Gear - 23Z	5- 33
AB01 1188	Gear - 21Z	5- 21
AB01 1189	Gear - 18Z	5- 19

Part No.	Description	Page and Index No.
AB01 3798	Gear - Z18	11- 2
AB01 4037	Gear - 24Z	13- 24
AB01 4038	Gear - 22Z	13- 27
AB01 4133	Gear 60/28z	13- 13
AB01 4134	Gear - 28Z	13- 12
AB01 4135	Gear - 18Z	9- 5
AB01 4136	Gear - 31Z	13- 23
AB01 9475	Gear - 48T	11- 5
AB03 0564	Pulley - M17	13- 17
AB03 0565	Timing Pulley - 20T	13- 29
AB03 0566	Timing Pulley - 20T	13- 22
AB03 0575	Timing Pulley - 20T	13- 20
AB03 0633	Timing Pulley	9- 6
AB03 3084	Timing Pulley - 15T - Drive	11- 13
AB03 3085	Timing Pulley - 15T Driven	11- 7
AF02 0404	Transport Roller	5- 15
AF02 0409	Driven Roller	3- 9
AF03 0035	Pick-up Roller	5- 20
AF03 1035	Feed Roller	5- 18
AF03 2035	Separation Roller	5- 24
AH01 2026	Caster	3- 20
AW02 0056	Photointerruptor - EE-SX4235A-P1	5- 8
AW02 0086	Photointerruptor	13- 31
AW02 0086	Photointerruptor	11- 14
AW02 0096	Photointerruptor	5- 3
AW02 0112	Photointerruptor	11- 15
AW02 0115	Photointerruptor	7- 12
AW50 0022	Push Switch	13- 33
AX04 0107	DC Motor - 19.2W	11- 1
AX06 0184	DC Motor - 11.3W	13- 10
AX20 0138	Electrical Clutch	13- 16
AX20 0153	Electrical Clutch	13- 26
C218 3051	Philips Screw - M3	5- 11
G697 1082	Tray Holder	13- 8
H519 4547	Spring Plate	3- 4

Part No.	Description	Page and Index No.
A096 6677	Decal - Right Paper Set	15- 1
A096 6677	Decal - Right Paper Set	9- 14
A096 6678	Decal - Left Paper Set	15- 2
A096 6678	Decal - Left Paper Set	7- 9
A193 1759	Stepped Screw	3- 2
A232 2762	Paper End Feeler	5- 16
A232 2764	Rear Grounding Plate	5- 14
A232 2770	Stay - Paper Separation	5- 27
A232 2774	Pressure Lever	5- 30
A232 2775	Link Lever	5- 34
A232 2776	Release Lever	5- 35
A232 2777	Shaft - Paper Separation	5- 26
A232 2781	Sensor Bracket	5- 2
A232 2782	Rear Feed Mylar	5- 37
A232 2995	Front Positioning Guide	3- 23
A232 5428	Harness - Paper Feed Unit	5- 9
A248 6730	Rear Release Lever	9- 23
A267 7350	Dehumidifier Ass'y (120V)	3- 31
A267 7363	Dehumidifier Ass'y (230V)	3- 31
A284 2783	Torque Limiter	5- 25
A335 4351	Guide Roller	9- 4
A421 2543	Friction Pad	9- 13
A507 1096	Philips Screw - M5x6	3- 21
A680 4351	Screw - M4X17	3- 33
A860 1110	Stay - Upper Front	3- 24
A860 1117	Bracket - Upper Right Rear Stay	3- 6
A860 1120	Stay - Front Rear	3- 3
A860 1125	Adjusting Pin	3- 22
A860 1255	Left Cover	3- 1
A860 1265	Right Cover	3- 27
A860 1270	Rear Cover	3- 7
A860 6140	Bracket - Joint	3- 8
A860 6210	Right Stand	3- 26
A860 6220	Left Stand	3- 25
A860 6230	Screw - M3	3- 28

Part No.	Description	Page and Index No.
A861 5370	AC Harness - Heater	3- 32

Part No.	Description	Page and Index No.
5053 0223	Bushing - 8MM	9- 7
5053 0447	Bushing - 6mm	11- 3
5053 0447	Bushing - 6mm	13- 25
5206 2686	Snap Ring	5- 28
5447 2681	Snap Ring	5- 17

Part No.	Description	Page and Index No
0313 0040B	Philips Pan Head Screw - M3x4	9-107
0353 0060B	Philips Pan Head Screw - M3x6	13-103
0353 0060B	Philips Pan Head Screw - M3x6	3-107
0450 3008B	Tapping Screw - M3x8	11-101
0450 3008B	Tapping Screw - M3x8	3-108
0450 3008B	Tapping Screw - M3x8	9-102
0450 3008B	Tapping Screw - M3x8	5-102
0450 3008B	Tapping Screw - M3x8	7-103
0450 3010B	Tapping Screw - M3x10	7-101
0450 3010B	Tapping Screw - M3x10	11-105
0451 3006B	Tapping Screw - M3x6	13-101
0451 3006B	Tapping Screw - M3x6	9-101
0451 3006B	Tapping Screw - M3x6	7-106
0451 3006B	Tapping Screw - M3x6	3-101
0451 3008B	Tapping Screw - M3x8	13-102
0451 3008B	Tapping Screw - M3x8	5-104
0451 3008B	Tapping Screw - M3x8	9-109
0451 3008H	Tapping Screw - 3x8	3-102
0451 3014B	Tapping Screw - M3-14	13-104
0451 4006B	Tapping Screw - 4x6	9-108
0452 3008B	Tapping Screw - M3x8	7-104
0453 3006B	Tapping Screw - M3x6	7-102
0453 3006B	Tapping Screw - M3x6	3-103
0453 3006B	Tapping Screw - M3x6	5-101
0453 3006B	Tapping Screw - M3x6	9-105
0594 0080Z	Bolt - M4x8	13-107
0623 0140E	Spring Pin - 3x14mm	9-104
0720 0030B	Retaining Ring - M3	3-106
0720 0040B	Retaining Ring - M4	11-102
0720 0040E	Retaining Ring - M4	5-107
0720 0060B	Retaining Ring - M6	9-103
0720 0060E	Retaining Ring - M6	13-111
0720 0060E	Retaining Ring - M6	5-108
0805 0089	Retaining Ring - M4	5-105
0805 3480	Bushing - 6mm	5-106

Part No.	Description	Page and Index No.
0950 3006B	SEM,s Screw - M3x6	3-105
1105 0192	Locking Support	13-106
1105 0267	Harness Clamp - YMC-10-0	13-109
1105 0267	Harness Clamp - YMC-10-0	9-106
1105 0283	Clamp	7-105
1105 0283	Clamp	5-103
1105 0283	Clamp	11-103
1105 0310	Harness Clamp - LWS-1S	13-105
1105 0310	Harness Clamp - LWS-1S	3-104
1105 0310	Harness Clamp - LWS-1S	11-104
1105 0348	Clamp	13-108
1105 0413	Harness Clamp	13-110
1204 2356	Micro Switch - AM51612A531	13-112

Part No.	Description	Page and Index No